

Passive 6.5"/1" two way Bass-reflex loudspeaker, 100W

A6V1 (M6V1)

Key Features:

- AudioLotus Signature tone
- Complete wooden construction for superior tonal performance
- Compact and super optimized ported enclosure
- 1" horn tweeter
- 6.5" low/mid driver
- Proprietary passive crossover with soft overdrive protection
- 60 X 60 Constant directivity waveguide
- 100W_{AES}/150W_{PK}
- Textured duracrylic finish (custom colors available)
- CG optimized geometrical construction
- FEA optimized box design



Overview:

The A6V1 is a single 6.5" midtop loudspeaker mated to a 1" compression tweeter utilizing a 60° x 60° constant directivity flare.

Designed for use in casual dining and lounge spaces this midtop is very compact and tonally accurate.

The A6V1 is integrated with a proprietary crossover network utilizing a dependable overdrive protection network.

The A6V1 midtop is recommended for use with the A12s sub in the ratio 2 or 3 tops to every sub

Optional accessories⁺

- wall mount clamp⁺
- A6V1/SJ splash proof jacket⁺

Applications:

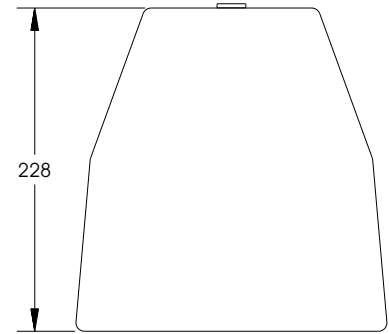
- Zone fills for Bar/Club/Lounges
- Zone fills for Fitness/Dance studios
- Casual/Fine dining restaurants

Passive 6.5"/1" two way Bass-reflex loudspeaker, 100W

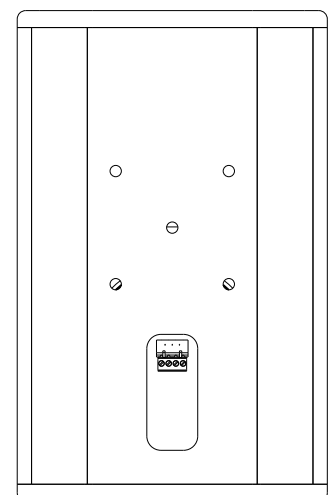
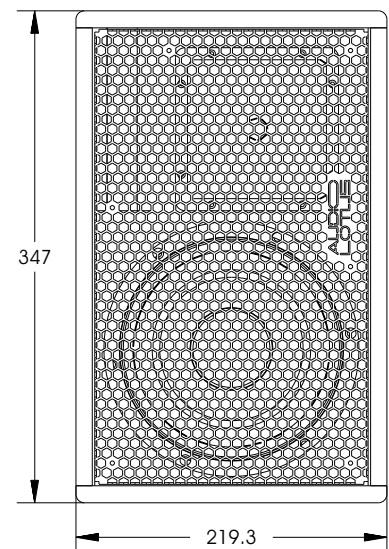
A6V1 (M6V1)

Detailed Specifications:

Driver config	1x 6.5" LMF, 1x 1" HF Horn tweeter
Power handling LF/LMF	100W _{AES}
HF	25W _{AES} /40W _{PK} , Xover integrous
Enclosure type	Ported direct radiator
Dispersion	60°H x 60°V rotatable
Impedance	8 ohms
Frequency Response	81Hz - 18kHz, -3dB
Frequency Response	74Hz - 20kHz, -6dB
SPL 1W/1m	92dB
Passive Crossover	Yes, passive
Biampable ?	No
Crossover frequency	2.42kHz
Crossover topology	synchronous phase hybrid
Protection	Electrically softened global resettable fuse
Max SPL (1m)	113dB cont., 116dB pk
1/4 space radiation	
Connections	1x 4pin Phoenix™ with link thru
Height	347mm (13.7")
Width	220mm (8.7")
Depth	228mm (9.0")
Weight	6.6kg (14.5lbs)
Enclosure material	12mm marine grade ply
Enclosure shape	Trapezoidal / horizontally axisymmetric
Finish	Gun painted sputtered acrylic
Colours	yes, RAL spectrum
Grille	Perforated galvanized steel, powder coated
Mounting	A6WC wall clamp (optional ⁺)
Optional⁺ accessories	A6/SJ splash proof jackets ⁺



dimensions in mm



* - these enclosures will need subs to support their low end

+ - not part of standard features, i.e., optional

- FOH** # Front of House (aka Main System)
- ER** Extended LF Range
- HR** High Resolution
- CG** Centre of Gravity

Specifications and appearance are subject to change without notice.