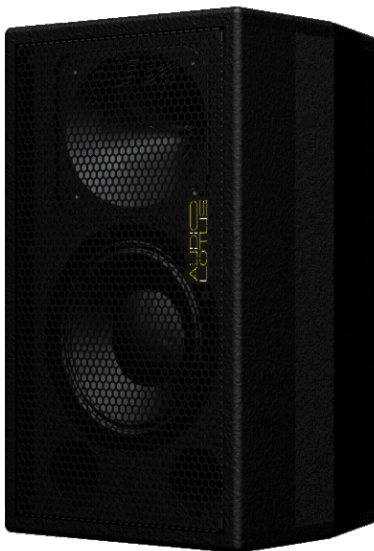


Passive 8"/1" two way Hi-Resolution  
Bass-reflex loudspeaker, 250W

## A8V2\* (M8V2\*)

### Key Features:

- AudioLotus Signature tone
- Complete wooden construction for superior tonal performance
- Compact and super optimized ported enclosure
- 1" horn tweeter
- 8" hi-resolution\* low/mid driver
- Proprietary passive crossover with soft overdrive protection
- 90 X 60 Constant directivity waveguide
- 250W<sub>AES</sub>/325W<sub>PK</sub>
- Textured duracrylic finish (custom colors available)
- CG optimized geometrical construction
- FEA optimized box design



### Overview:

The A8V2 is a hi-resolution / Hi-power version of our flagship model, the A8V1-H midtop loudspeaker.

It utilizes a hi-resolution 8" midtop loudspeaker mated to a 1" compression tweeter utilizing a 90° x 60° non-rotatable constant directivity flare.

Designed for use in medium to Hi energy lounge spaces and zonefills for nightclubs this midtop is compact and tonally very accurate.

The A8V2 is integrated with a proprietary crossover network utilizing a dependable overdrive protection network.

The A8V2 midtop is recommended for use with the A15s or the A118s sub in the ratio 1 top to every sub.

### Optional accessories<sup>+</sup>

- wall mount clamp<sup>+</sup>
- A8V2/SJ splash proof jackets<sup>+</sup>
- Pole mount<sup>+</sup>

### Applications:

- FOH/Zonefills for Bar/Club/Lounges
- FOH/Zonefills for Fitness/Dance studios
- Casual/Fine dining restaurants

Passive 8"/1" two way Hi-Resolution  
Bass-reflex loudspeaker, 250W

**A8V2\* (M8V2\*)**

**Detailed Specifications:**

<b>Driver config</b>	1x 8" LMF, 1x 1" HF Horn tweeter
<b>Power handling LF/LMF</b>	250W <sub>AES</sub>
<b>HF</b>	30W <sub>AES</sub> /50W <sub>PK</sub> , Xover integrous
<b>Enclosure type</b>	Ported direct radiator
<b>Dispersion</b>	90°H x 60°V non-rotatable
<b>Impedance</b>	8 ohms
<b>Frequency Response</b>	68Hz - 18kHz, -3dB
<b>Frequency Response</b>	58Hz - 20kHz, -6dB
<b>SPL 1W/1m</b>	95dB
<b>Passive Crossover</b>	Yes, passive
<b>Biampable ?</b>	No
<b>Crossover frequency</b>	2.31kHz
<b>Crossover topology</b>	synchronous phase hybrid
<b>Protection</b>	Electrically softened global resettable fuse
<b>Max SPL (1m)</b>	119dB cont., 121dB pk
<b>1/4 space radiation</b>	
<b>Connections</b>	1x 4pin Phoenix™ with link thru
<b>Height</b>	480mm (18.9")
<b>Width</b>	291mm (11.5")
<b>Depth</b>	299mm (11.8")
<b>Weight</b>	13.7kg (30.1lbs)
<b>Enclosure material</b>	15mm marine grade ply
<b>Enclosure shape</b>	Trapezoidal / horizontally axisymmetric
<b>Finish</b>	Gun painted sputtered acrylic
<b>Colours</b>	yes, RAL spectrum
<b>Grille</b>	Perforated galvanized steel, powder coated
<b>Mounting</b>	A8WC wall clamp (optional <sup>+</sup> )
<b>Optional<sup>+</sup> accessories</b>	A8V2/SJ splash proof jackets <sup>+</sup> Pole mount <sup>+</sup>

\* - these enclosures will need subs to support their low end

+ - not part of standard features, i.e., optional

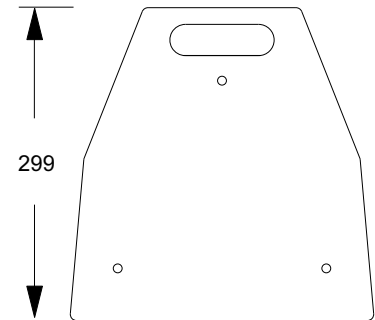
**FOH** # Front of House (aka Main System)

**ER** Extended LF Range

**HR** High Resolution

**CG** Centre of Gravity

Specifications and appearance are subject to change without notice.



dimensions in mm

